

Features : Aluminum heat sink, No UV or RF interference, Patented heat sink and optical diffuser, longer life than incandescent & fluorescents .No mercury, no ballast required, wide voltage and constant current design, solid state, high shock & vibration resistant, Mercury free, 66%+ savings in energy consumption, quiet, no noise, no flickering, The products are in accordance with CE, UL and FCC testing standards.

TP-PAR30-001(Non Dimmable)

TP-PAR30-002(Dimmable)

cUL Approved E332544

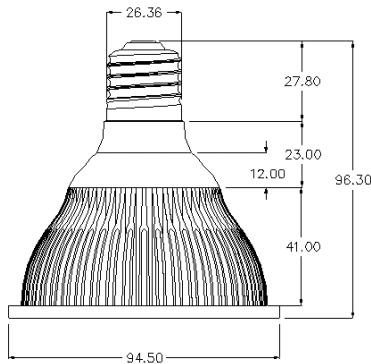
Color Temperature

Warm White:3000-3500K

Natural White:4000-4500K

Daylight White:5800-6300K

Cool White:7000-7500K



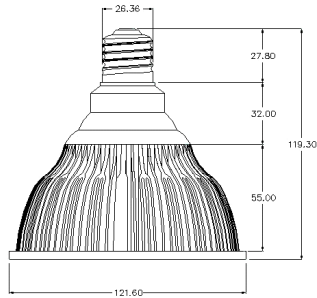
Parameter	Description
Wattage	9W
Voltage	AC 85V-265V (001) AC 120V/240V (002)
Frequency	50Hz / 60Hz
Lumens	500LM
CRI	80
Lighting Angle	30,45,60 Degree
Replace	50W incandescent bulb
Base	E26,E27,GU24
LED Q' ty	7pcs Cree/Seoul LEDs
Lifespan	5years
Working Temperature	-20~45°C

Dimming control feature(Test

Tolerance:±10%)

TP-FPAR30-7X1.2W-dim

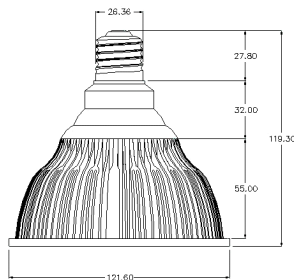
TP-PAR38-001(Non Dimmable)



Parameter	Description
Wattage	15W
Voltage	AC 85V-265V
Frequency	50Hz / 60Hz
Lumens	850LM
CRI	80
Lighting Angle	30,45,60Degree
Replace	60W incandescent bulb
Base	E26,E27,GU24
LED Q' ty	12pcs Cree/Seoul LEDs
Lifespan	5years
Working Temperature	-20~45°C

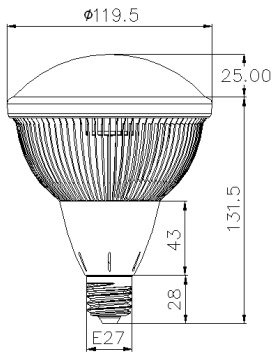
TP-PAR38-002(Dimmable)

cUL Approved E332544



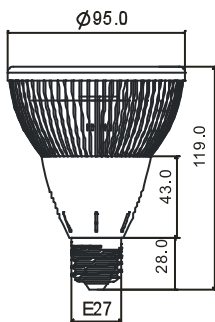
Parameter	Description
Wattage	12W
Voltage	AC 120V/AC 240V
Frequency	50Hz / 60Hz
Lumens	650LM
CRI	80
Lighting Angle	30,45,60Degree
Replace	60W incandescent bulb
Base	E26,E27GU24
LED Q' ty	9 pcs Cree/Seoul LEDs
Lifespan	5years
Working Temperature	-20~45°C

TP-PAR38-002(Dimmable)



Parameter	Description
Wattage	12W
Voltage	AC 120V/AC 240V
Frequency	50Hz/60Hz
Lumens	650LM
CRI	80
Lighting Angle	120Degree
Replace	75W incandescent bulb
Base	E26,E27
LED Q' ty	9 pcs Cree/Seoul LEDs
Lifespan	5years
Working Temperature	-20~45°C

TP-PAR30-002(Dimmabl)



Parameter	Description
Wattage	10W
Voltage	AC 120V/AC 240V
Frequency	50Hz/60Hz
Lumens	500LM
CRI	80
Lighting Angle	120Degree
Replace	50W incandescent bulb
Base	E26,E27
LED Q' ty	6 pcs Cree/Seoul LEDs
Lifespan	5years
Working Temperature	-20~45°C